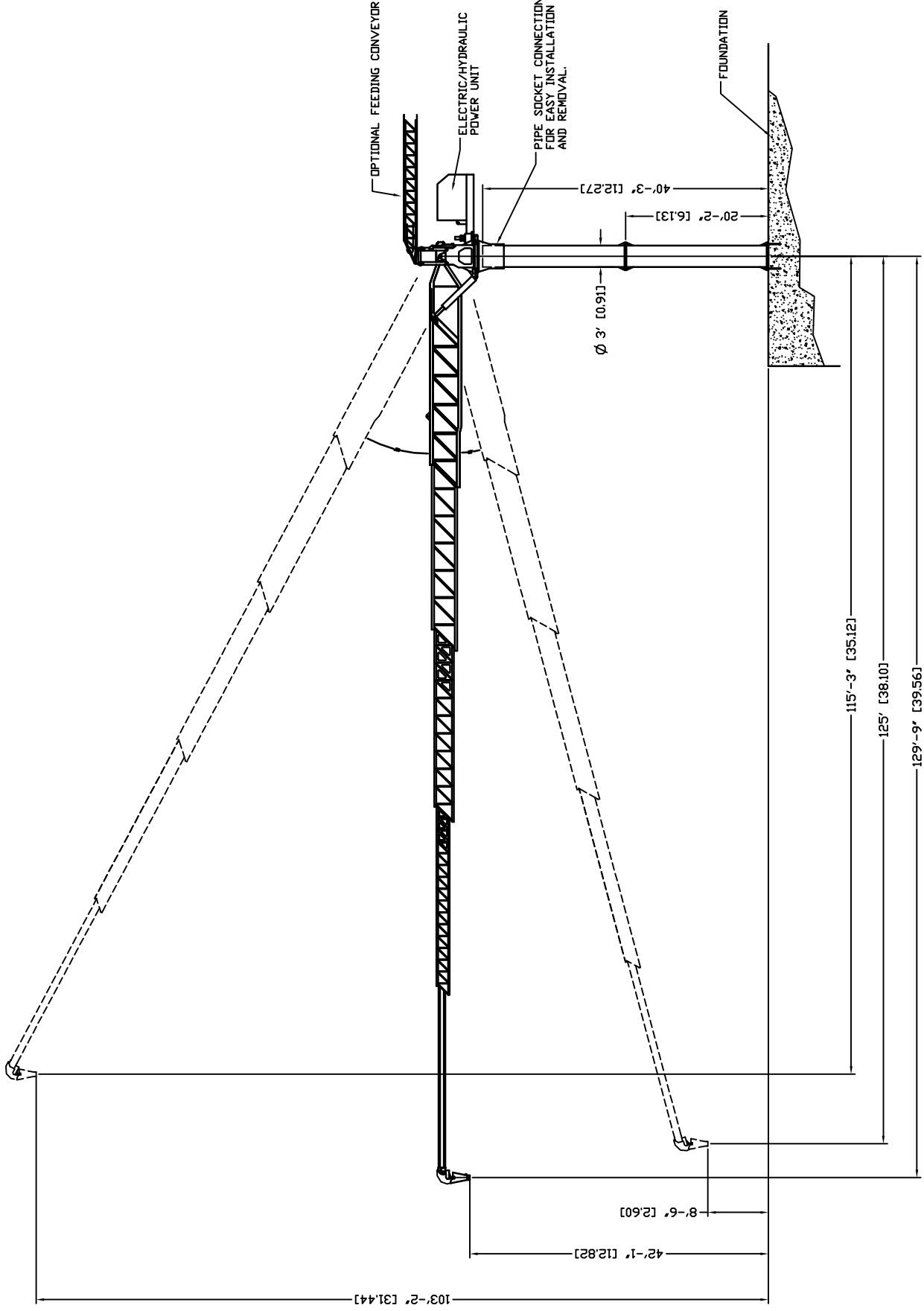


| ITEM   | QTY | DESCRIPTION | APPROVED BY | CHECKED BY | WEIGHT LBS   | MATERIAL | DATE        | SCALE |
|--|-----|-------------|-------------|------------|--|----------|-------------|-------|
|  |     |             |             | JPG        |  |          | 08 MAR 2011 |       |
| Loop Belt Industries, Inc.<br>2807 Hill Avenue<br>Glen Elder, MO 64015 |     |             |             |            | TITLE: POST MOUNTED LB40TS<br>DRAWING NUMBER: PH LB-40TS |          |             |       |

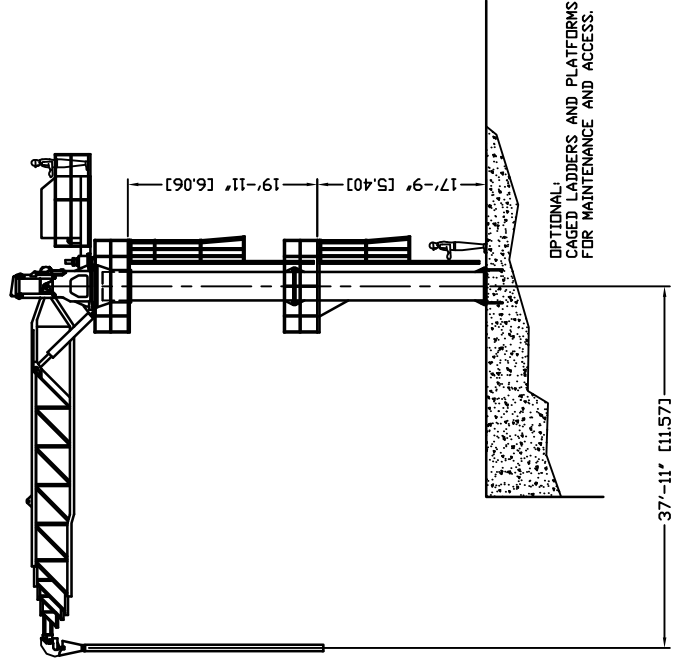
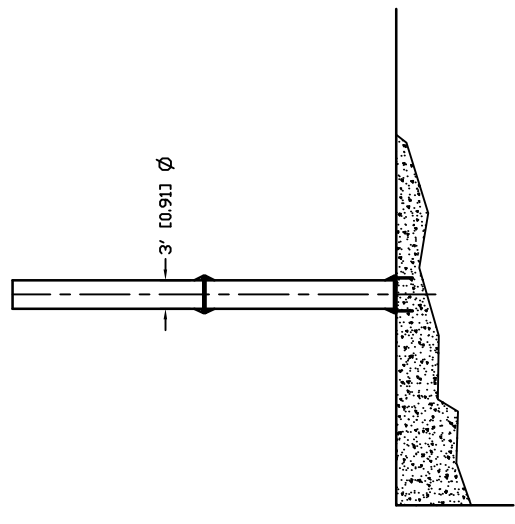
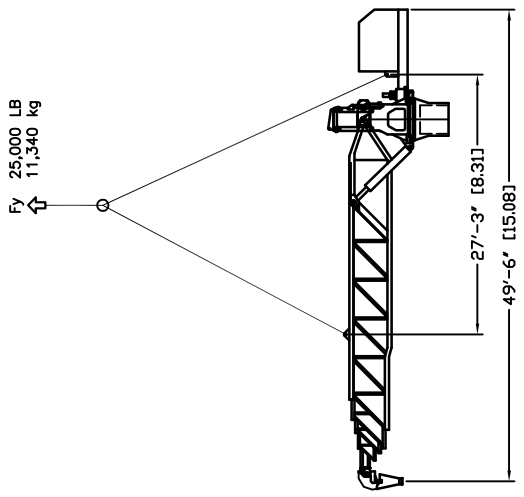
SPECIFICATIONS SUBJECT TO CHANGE WITHOUT NOTICE



| ITEM  | QTY | DESCRIPTION | WEIGHT LBS     | MATERIAL            | WEIGHT SCALE |
|---|-----|-------------|----------------|---------------------|--------------|
| DRAWN BY  | JPG | APPROVED BY |                | DATE                | 08 MAR 2011  |
| Loop Belt Industries, Inc.<br>Loop Belt Industries, Inc.<br>21471 Hill Avenue<br>Glen Ellyn, IL 60137 |     |             | TITLE          | POST MOUNTED LB40T5 | SHEET 1 of 3 |
|   |     |             | DRAWING NUMBER | PM LB-40T5          |              |

SPECIFICATIONS SUBJECT TO CHANGE WITHOUT NOTICE

Fv 25,000 LB  
11,340 kg



OPTIONAL  
CAGED LADDERS AND PLATFORMS  
FOR MAINTENANCE AND ACCESS.

| ITEM  | QTY | DESCRIPTION | WEIGHT LBS   | MATERIAL | DATE        | WEIGHT SCALE |
|---|-----|-------------|--|----------|-------------|--------------|
| DRWN BY   | JPG | APPROVED BY |  | DATE     | 08 MAR 2011 |              |
| Loop Belt Industries, Inc.<br>Loop Belt Industries, Inc.<br>21477 Hill Avenue<br>Glen Ellyn, IL 60137 |     |             | TITLE POST MOUNTED LB40T5<br>DRAWING NUMBER PM LB-40T5 |          |             |              |
| SHEET   |     |             |  |          |             | 2 of 3       |

SPECIFICATIONS SUBJECT TO CHANGE WITHOUT NOTICE